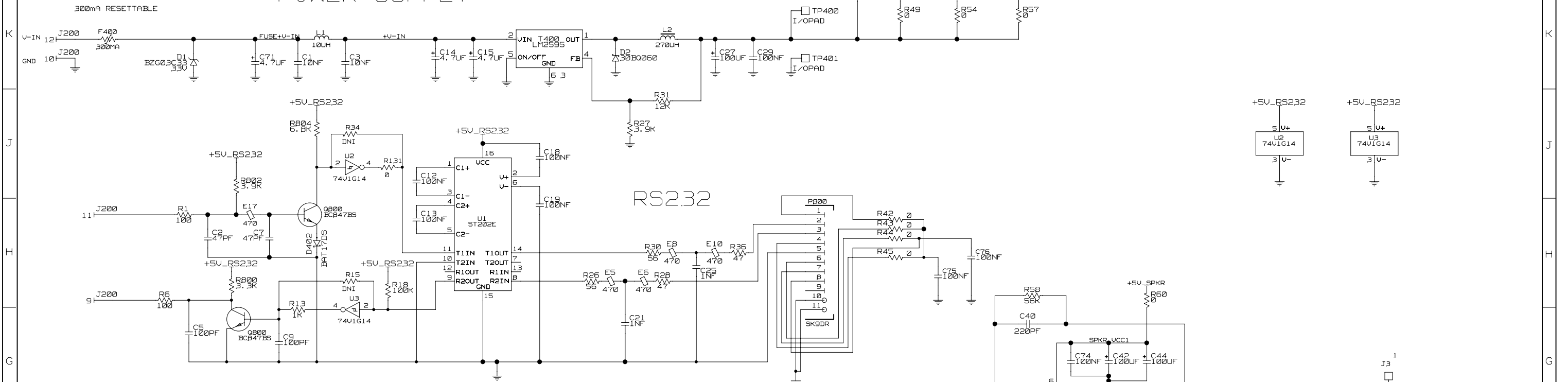
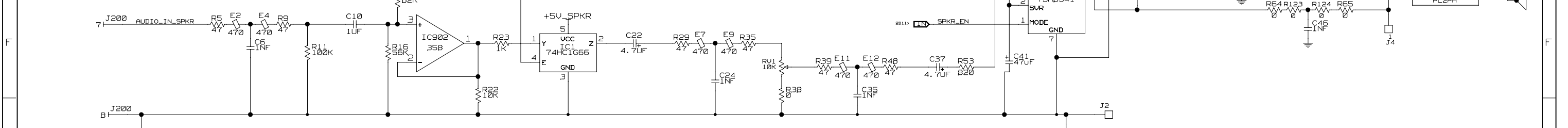


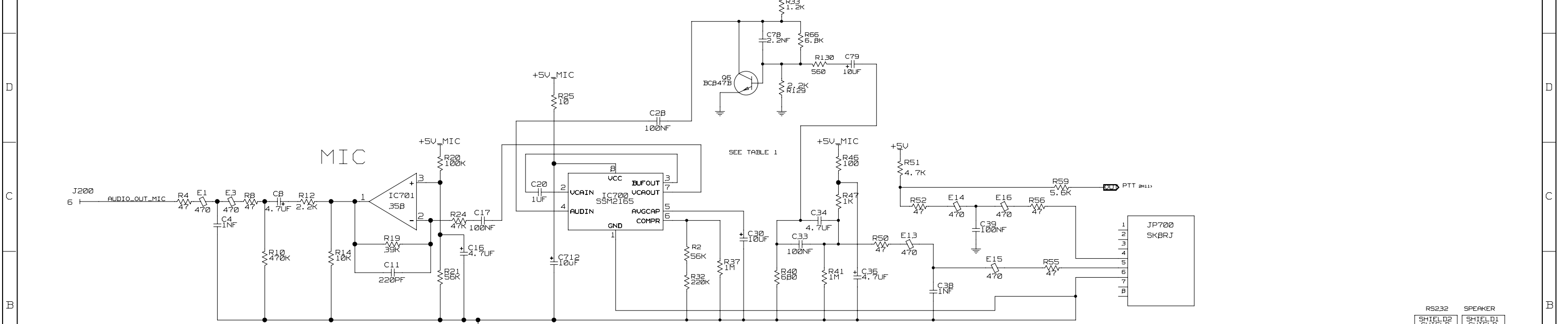
POWER SUPPLY



SPEAKER



AMPLIFIER



REV/ISS	AMENDMENTS	DRAWN	CHKD	D. O.	APVD	DATE
04E	UPDATED R27 TO MATCH BOM	CJK	CJK	CJK	CJK	3-05-04
04D	REVISED PER ECO 10120032B CIRCUIT REF UPDATE	CJK	CJK	CJK	CJK	30-04-04
04B	REVISED PER ECO 101200077	BAM	BAM	BAM	BAM	BAM

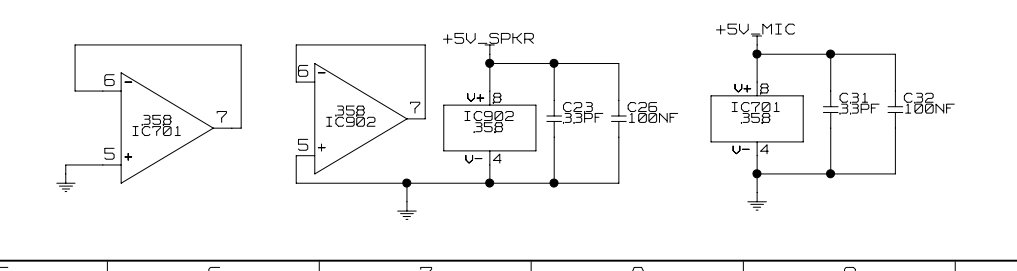


TABLE 1

MIC TYPE	
DYNAMIC	C34
ELECTRET	C33, R47

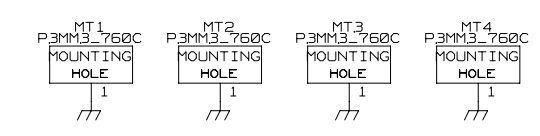
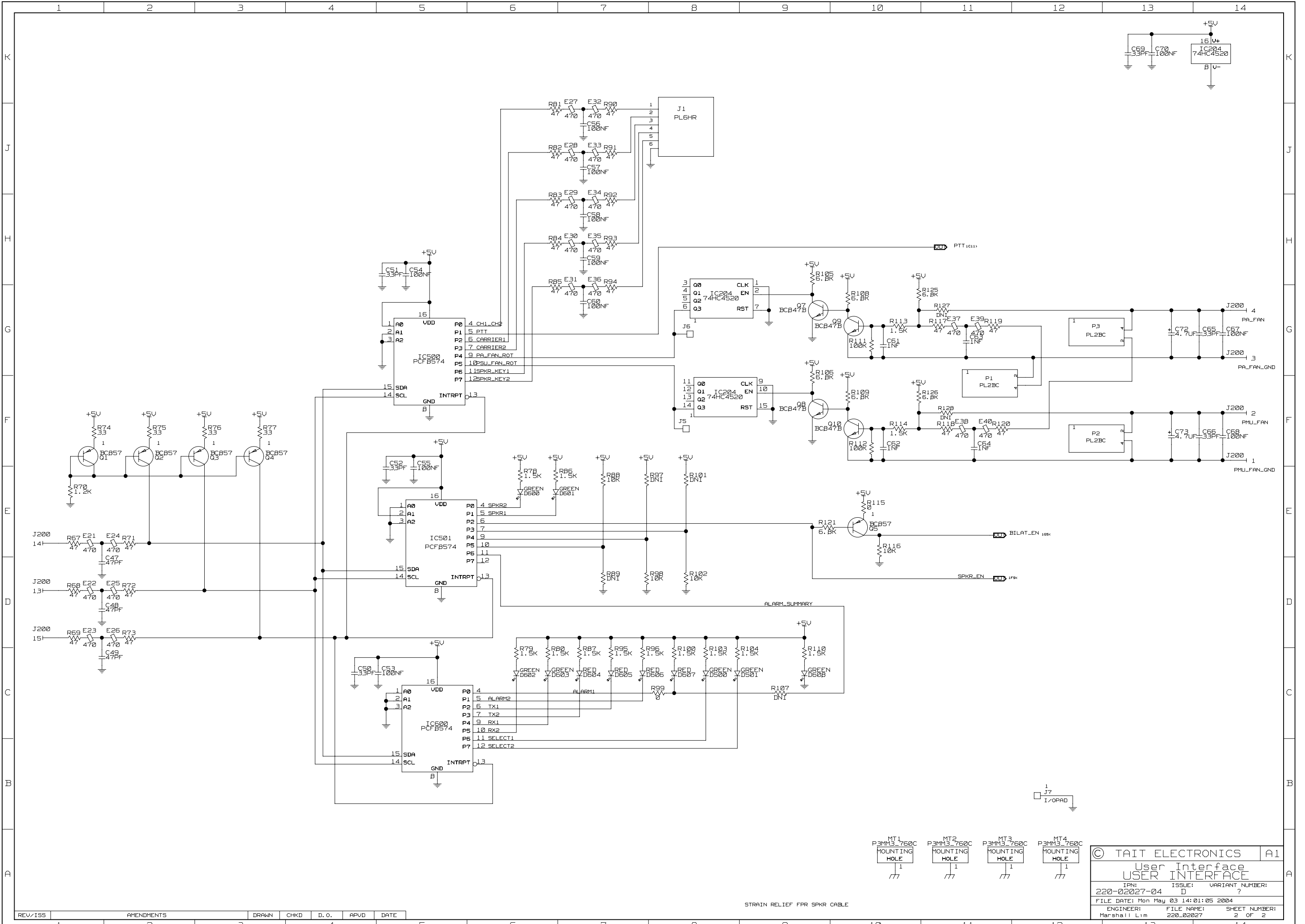
© TAIT ELECTRONICS A1

User Interface
USER INTERFACE

IN: 220-02027-04 ISSUE: D VARIANT NUMBER: ?

FILE DATE: Mon May 03 14:01:03 2004

ENGINEER: Marshall Lim FILE NAME: 220_02027 SHEET NUMBER: 1 OF 2



© TAIT ELECTRONICS		A1
User Interface		
USER INTERFACE		
IPN:	ISSUE:	VARIANT NUMBER:
220-02027-04	D	?
FILE DATE: Mon May 03 14:01:05 2004		
ENGINEER:	FILE NAME:	SHEET NUMBER:
Marshall Lim	220_02027	2 OF 2

STRAIN RELIEF FPR SPKR CABLE

REV/ISS	AMENDMENTS	DRAWN	CHKD	D.O.	APVD	DATE
1						